

ASTRAL ELECTRONICS Pty. Ltd.

CURLY523 (Trucks or Caravans)



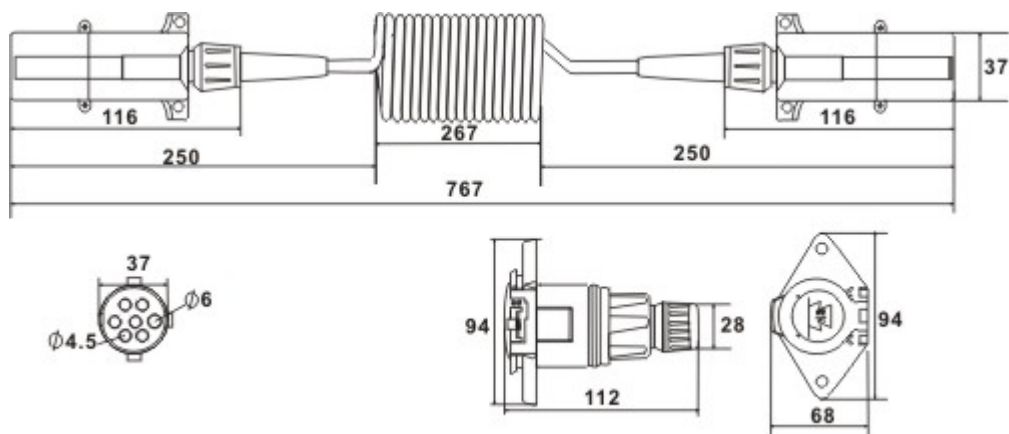
Features :

- 7P/12V & 24V spiral cable
- green PUR cable 6*1.0+1*1.5 square millimeter, aluminum plugs
- coil diameter 50mm, work length 0.3m, maximum extension length 4.0m

Installation Instruction :



Dimensions :



Unit: mm

Specifications :

Notice:

- * All specifications are subject to change without notice.
- * Accessory supply may be different for different market. Please contact with sales representative if you have special need.
- * Actual object may differ from what you see from our catalog or advertisement.

ASTRAL ELECTRONICS P/L
Suite 15, Units 4-5, 9-11 Abel St.
Penrith 2750
Ph: 02 4722 5330
Email: astralelectronics@bigpond.com